

titan

TV WALL BRACKET



48-102cm
19- 40"



WTS 1
EDP No 35550



Universal TV wall bracket made of aluminum; for safe and low profile installation of TV displays up to 40"/102cm; max 50kg

- 2 fixing points only at the TV display
- Fully variable VESA pattern from 50 to 200mm
- Easy hook-in of the TV screen
- Horizontal shift
- Integrated bubble level

- For screen sizes 48-102cm /19-40"
- VESA max. 200x200 (variable)
- Max. 50 kg weight load
- Wall distance 28 mm
- Weight of the bracket 574g
- Color: titan
- Incl. wall fixing kit (with Fischer® anchors)
- Made in Europe

Designed for Flat Panel TV screens with

- uneven mounting surface
- Curved OLED display
- sockets closely situated to the fixing points



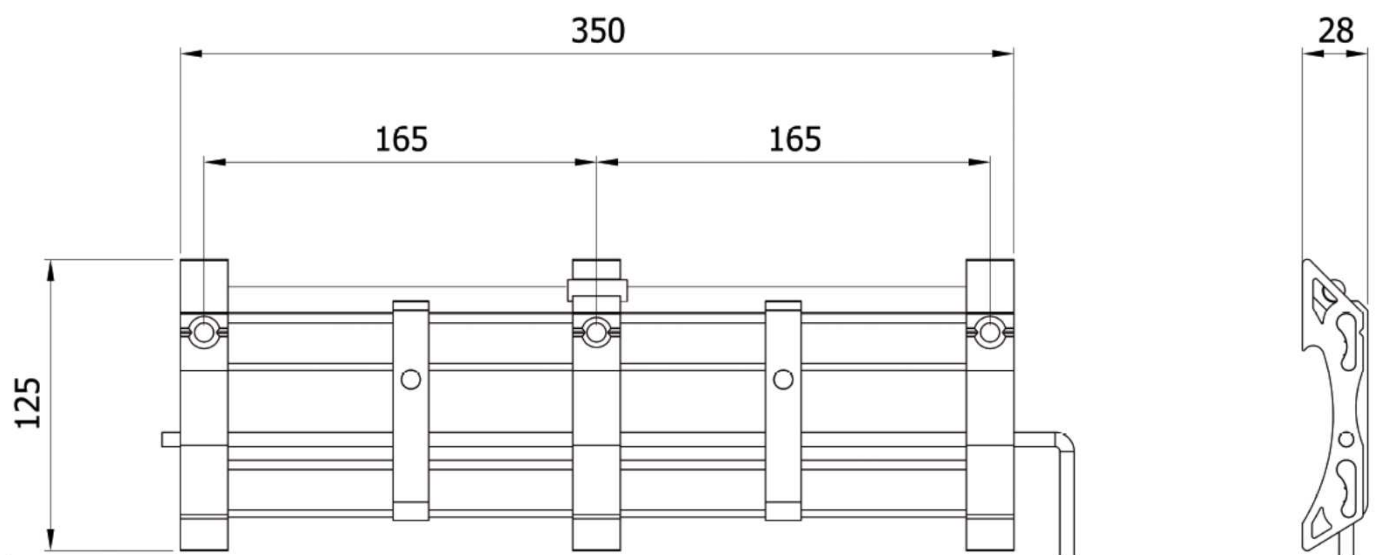
10
YEAR
GUARANTEE

www.vivanco.com



TV WALL BRACKET

Technical drawing for wall bracket WTS 1 (Art No 35550)



Subject to technical changes



www.vivanco.com