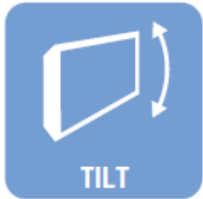


# titan

## TV WALL Bracket



48-102cm  
19- 40"



**WTS 2**  
EDP No 35551



**Tilt Aluminum TV Wall Bracket; for screen sizes up to 40"/102cm; max. 25kg**

- Lightweight and robust aluminum construction
- 2 hinges
- Easy & quick installation
- Integrated spirit level
- Cable management
- For screen sizes 48-102cm /19-40"
- VESA 75x75/100x100/200x100/200x200
- +/-45° swing (depending on screen size)
- +/-15° tilt
- Full horizontal level correction / 360° rotation
- Max. 25kg weight load
- Wall distance 96mm
- Weight of the bracket 1,4kg
- Color: titan
- Incl. wall fixing kit (with Fischer® anchors)



TILT +/-15°



360° ROTATION



SPIRIT LEVEL



EASY TO FIT



MAX VESA



MAX LOAD

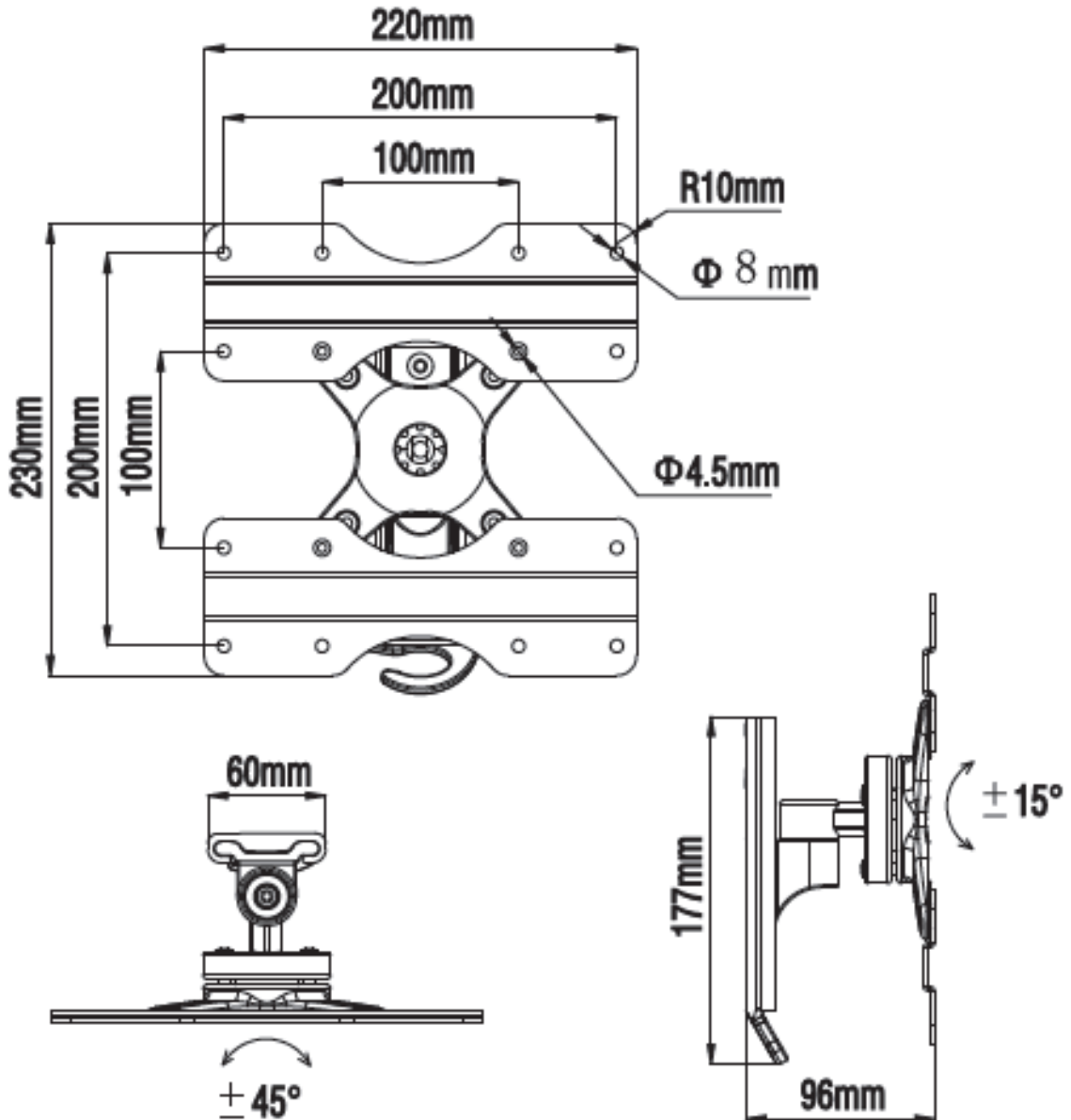
**10**  
YEAR  
GUARANTEE

[www.vivanco.com](http://www.vivanco.com)

**titan**

# TV WALL BRACKET

Technical drawing for TV wall bracket WTS 2 (Art No 35551)



Subject to technical changes

**10**  
YEAR  
GUARANTEE

[www.vivanco.com](http://www.vivanco.com)