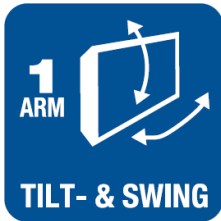
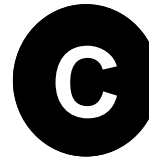


titan

TV WALL Bracket



48-102cm
19- 40"



WTS 3
EDP No 35552



Tilt & Swing Aluminum TV Wall Bracket;
for screen sizes up to 40"/102cm;
max. 25kg

- Lightweight and robust aluminum construction
- Single arm / 2 hinges
- Easy & quick installation
- Integrated spirit level
- Cable management

- For screen sizes 48-102cm /19-40"
- VESA 75x75/100x100/200x100/200x200
- +/-90° swing (depending on screen size)
- +/-13,8° tilt
- Full horizontal level correction / 360° rotation
- Max. 35kg weight load
- Wall distance 86-214mm
- Weight of the bracket 1,8kg
- Color: titan
- Incl. wall fixing kit (with Fischer® anchors)



TILT +/-13,8°



SWING +/-90°



360° ROTATION



SPIRIT LEVEL



EASY TO FIT



MAX VESA



MAX LOAD

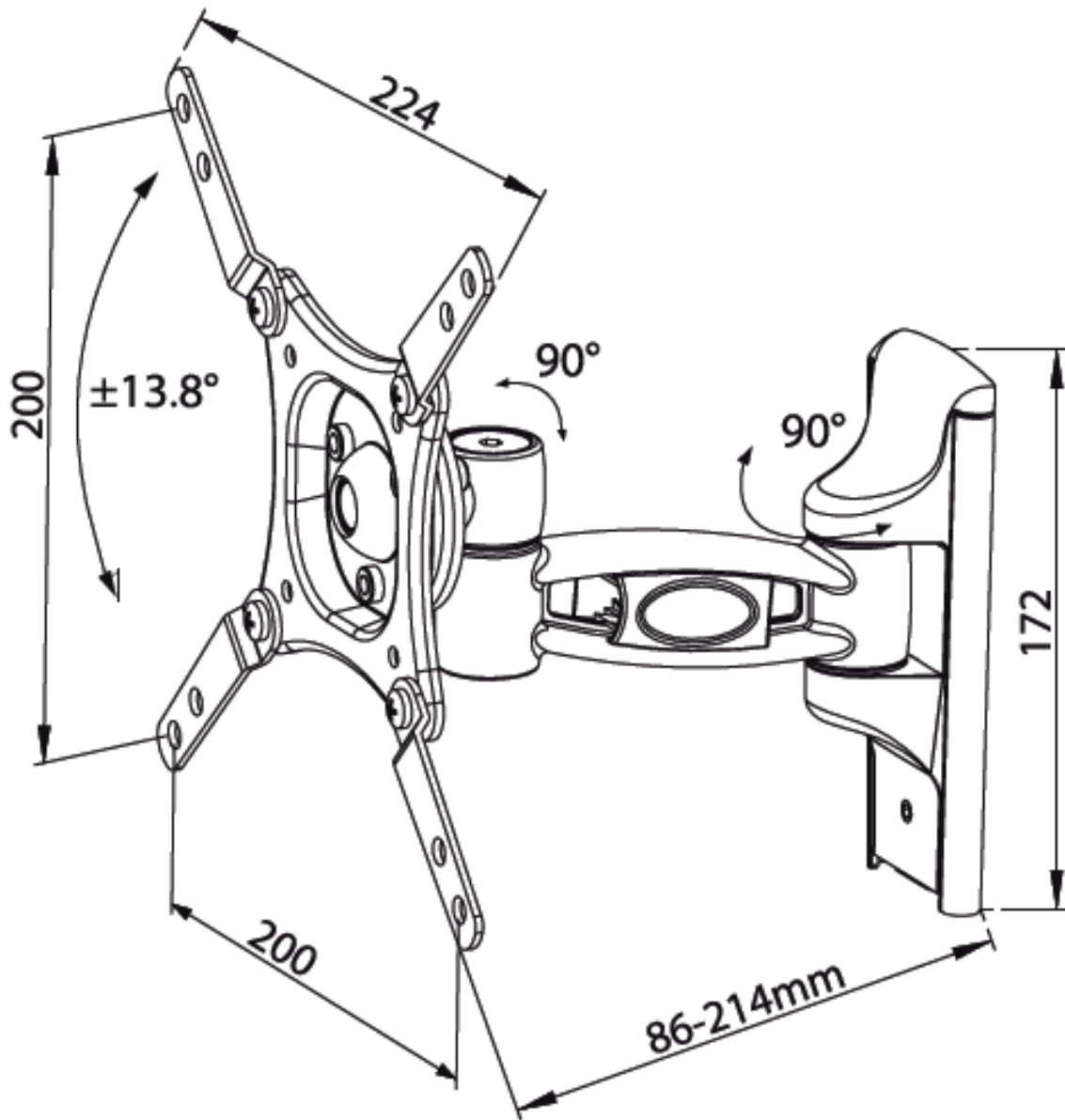
10
YEAR
GUARANTEE

www.vivanco.com

titan

TV WALL BRACKET

Technical drawing for TV wall bracket WTS 3 (Art No 35552)



Subject to technical changes

10
YEAR
GUARANTEE

www.vivanco.com