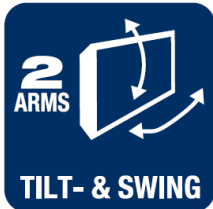
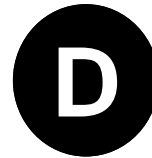


# titan

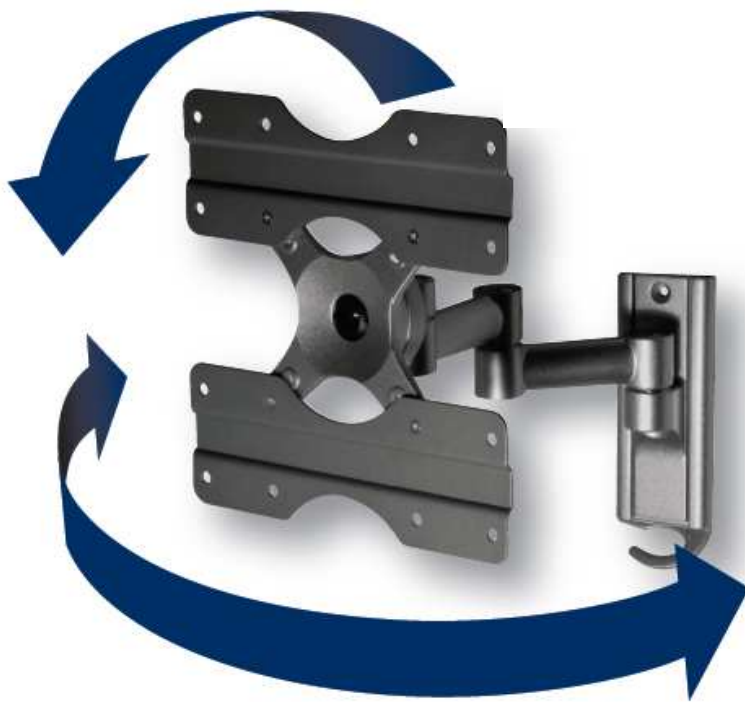
## TV WALL BRACKET



48-102cm  
19- 40"



WTS 4  
EDP No 35553



**Tilt&Swing Aluminum TV Wall Bracket;**  
for screen sizes up to 40"/102cm;  
max. 25kg

- Lightweight and robust aluminum construction
- Dual arm / 3 hinges
- Easy & quick installation
- Integrated spirit level
- Cable management
- For screen sizes 48-102cm /19-40"
- VESA 75x75/100x100/200x100/200x200
- 1st arm: +/-90° swing
- 2nd arm: +/-180° swing (depending on screen size)
- +/-15° tilt
- Full horizontal level correction / 360° rotation
- Max. 25kg weight load
- Wall distance 96-276mm
- Weight of the bracket 1,6kg
- Color: titan
- Incl. wall fixing kit (with Fischer® anchors)



TILT +/-15°



SWING +/-90°



360° ROTATION



SPIRIT LEVEL



EASY TO FIT



MAX VESA



MAX LOAD

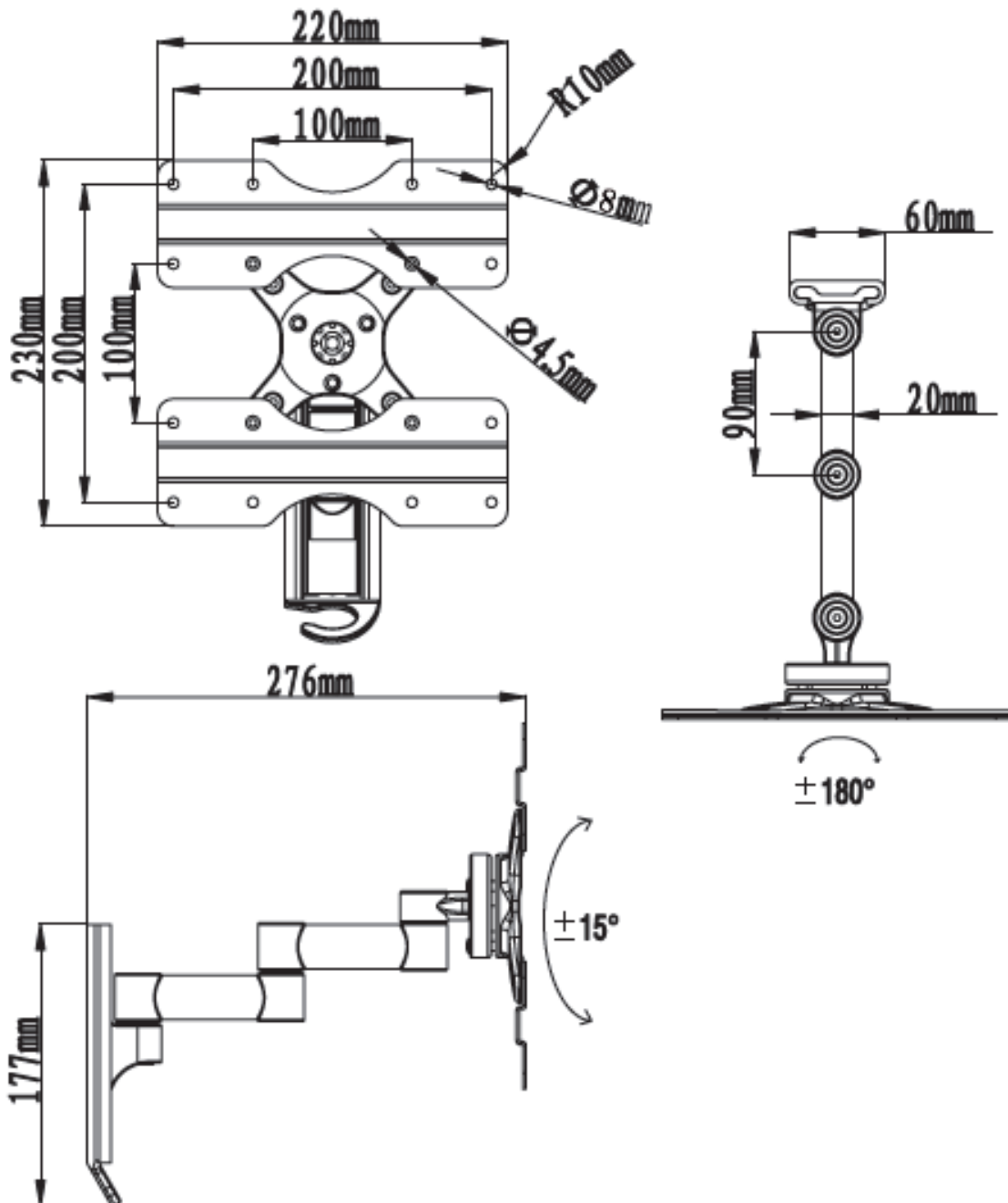
10  
YEAR  
GUARANTEE

[www.vivanco.com](http://www.vivanco.com)

# titan

## TV WALL BRACKET

Technical drawing for wall bracket WTS 4 (Art No 35553)



Subject to technical changes

**10**  
YEAR  
GUARANTEE

[www.vivanco.com](http://www.vivanco.com)