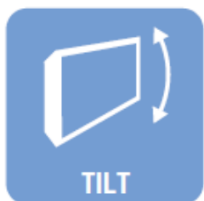


titan

TV WALL BRACKET



102-216cm
40-85"



WTL 2
EDP No 35555



Tilt TV Wall Bracket; for screen sizes up to 85"/216cm; max. 50kg

- Robust steel construction
- Theft protection
- Easy & quick installation
- Integrated spirit level
- Suitable for non-VESA-conform displays

- For screen sizes 102-216cm /40-85"
- VESA max 600x400 (variable)
- +3°/-15° tilt, stepless adjustment without tools
- Max. 50kg weight load
- Wall distance 40mm
- Weight of the bracket 2,2kg
- Color: titan
- Incl. wall fixing kit (with Fischer® anchors)



TILT +3°/-15



SPIRIT LEVEL



SAFE LOCK



EASY TO FIT



MAX VESA



MAX LOAD

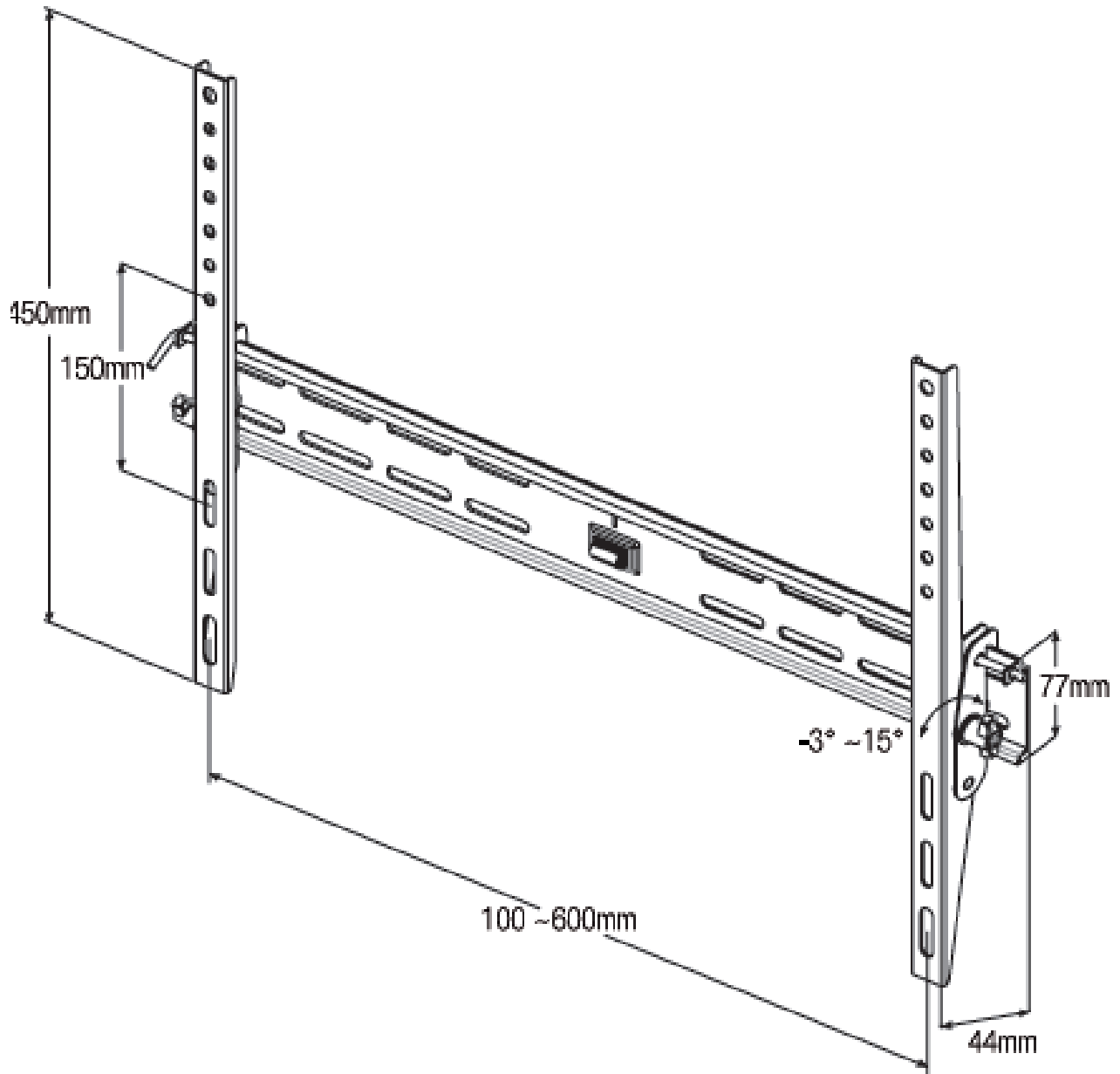
10
YEAR
GUARANTEE

www.vivanco.com

titan

TV WALL BRACKET

Technical drawing for wall bracket WTL 2 (Art. Nr. 35555)



Subject to technical changes

10
YEAR
GUARANTEE

www.vivanco.com