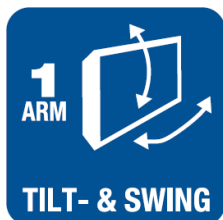


titan

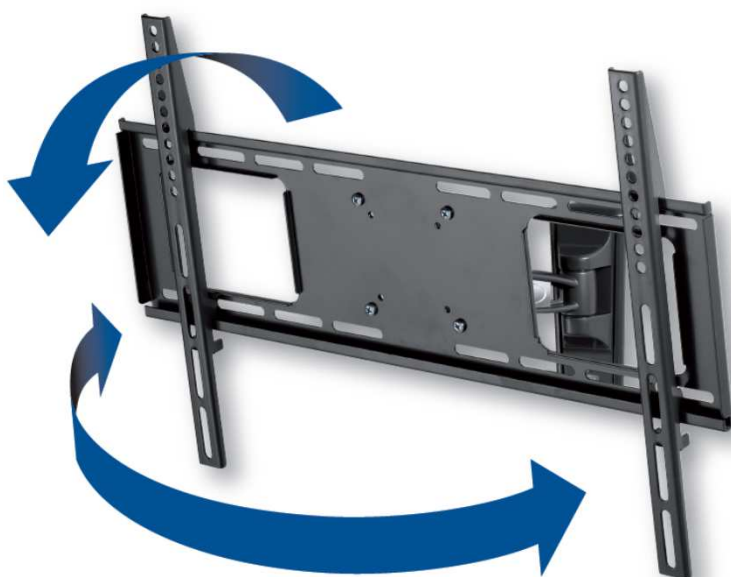
TV WALL BRACKET



102-216cm
40-85"



WTL 3
EDP No 35556



Tilt & Swing TV Wall Bracket; for screen sizes up to 85"/216cm; max. 35kg

- Lightweight and robust aluminum/steel construction
- Single arm / 2 hinges
- Easy & quick installation
- Integrated spirit level
- Cable management
- Suitable for non-VESA-conform displays
- For screen sizes 102-216cm /40-85"
- VESA max 600x400 (variable)
- +/-90° swing (depending on screen size)
- +/-13,8° tilt
- Horizontal level correction
- Max. 35kg weight load
- Wall distance 105-229mm
- Weight of the bracket 4,0kg
- Color: titan
- Incl. wall fixing kit (with Fischer® anchors)



TILT +/-13,8°



SWING +/-90°



LEVEL CORRECTION



SPIRIT LEVEL



EASY TO FIT



MAX VESA



MAX LOAD

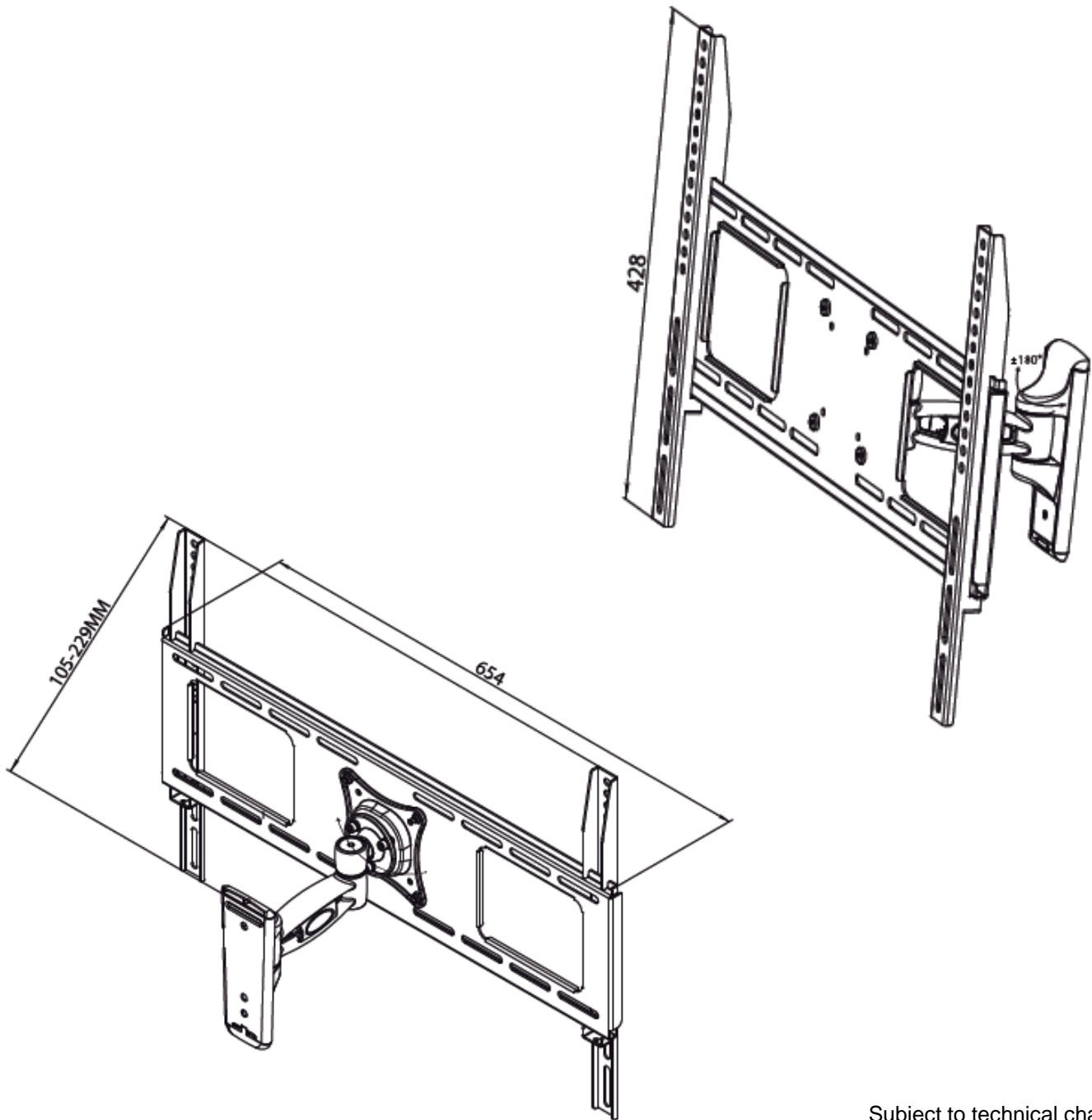
10
YEAR
GUARANTEE

www.vivanco.com

titan

TV WANDHALTERUNG

Technical drawing for wall bracket WTL 3 (Art No 35556)



Subject to technical changes

10
YEAR
GUARANTEE

www.vivanco.com