

titan

TV WALL BRACKET



102-216cm
40-85"



WTL 4
EDP No 35557



Tilt & Swing TV Wall Bracket; for screen sizes up to 85"/216cm; max 50kg

Robust full motion TV wall bracket
Dual arm / 3 hinges
Easy & quick installation
Cable management
Suitable for non-VESA-conform displays

For screen sizes 102-216cm /40-85"
VESA max 600x400
1st arm: +/-90° swing
2nd arm: +/-180° (depending on screen size)
+2°/-10° tilt
3° horizontal level correction
Max. 50kg weight load
Wall distance 40-450mm
Weight of the bracket 4,7kg
Color: titan
Incl. wall fixing kit (with Fischer® anchors)



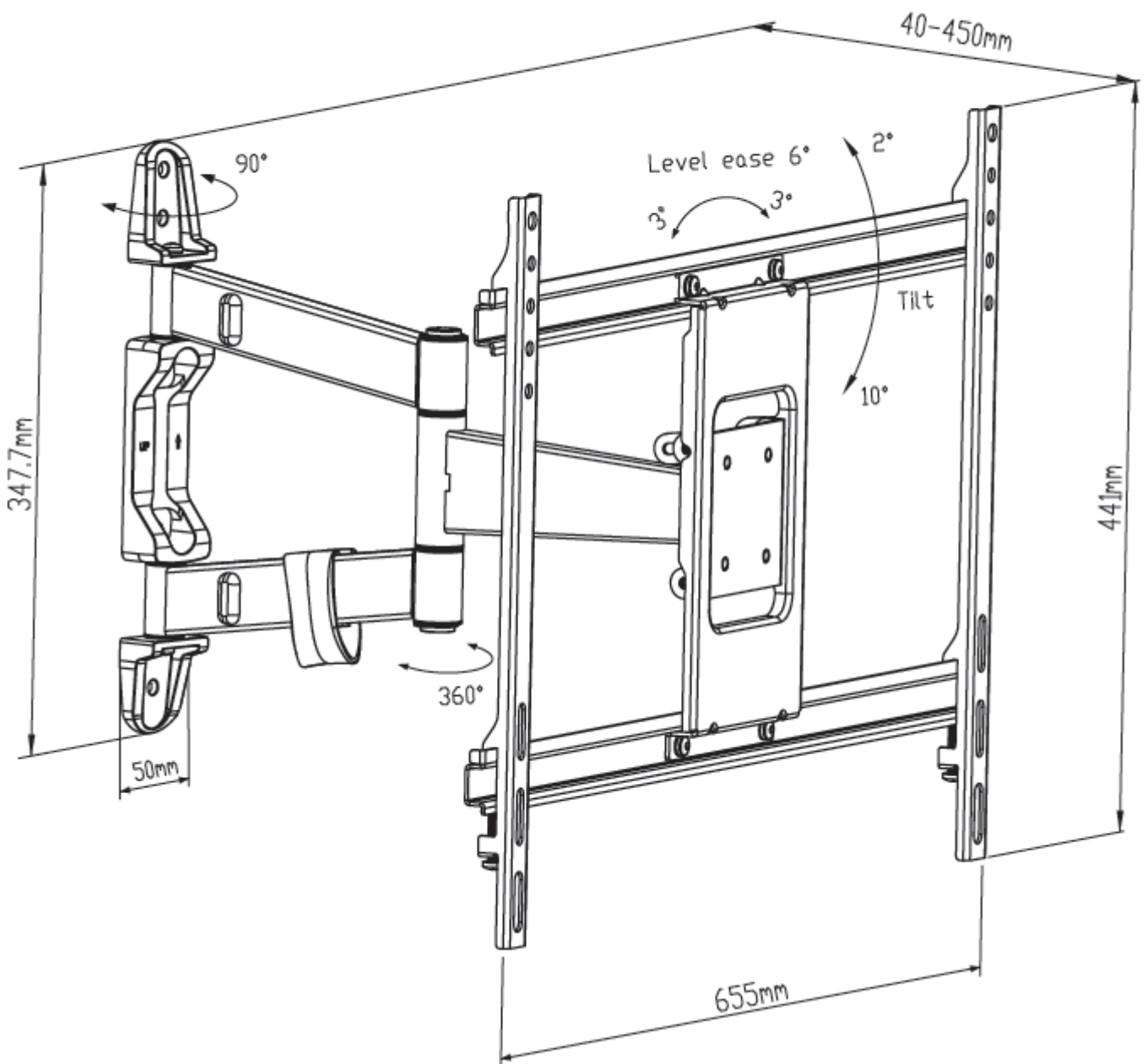
10
YEAR
GUARANTEE

www.vivanco.com

titan

TV WALL BRACKET

Technical drawing for TV wall bracket WTL 4 (Art No 35557)



Subject to technical changes

10
YEAR
GUARANTEE

www.vivanco.com