

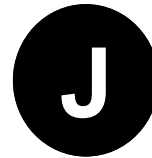
titan

TV WALL BRACKET



PREMIUM

102-216cm
40-85"



WTL 6
EDP No 35559



Optimal adjustable dual arm TV wall bracket; for screen sizes up to 85"/216cm; max 45kg

- Robust full motion TV wall bracket
- Dual arm / 3 hinges
- Easy & quick installation
- Very smooth motion
- Flat profile and extra high maximum wall distance
- Cable management
- Integrated spirit level

- For screen sizes 102-216cm /40-85"
- VESA max. 600x400 (variable)
- Dual arm: +/-90° swing
- Front hinge: +/-180° (depending on screen size)
- +2°/-10° tilt
- Max. 45kg weight load
- Wall distance 38-412mm
- Weight of the bracket 9,6kg
- Color: titan
- Incl. wall fixing kit (with Fischer® anchors)



SWING +/-90°



TILT +2°/-10°



SMOOTH MOTION



LEVEL CORRECTION



CABLE MANAGEMENT



EASY TO FIT



MAX VESA



MAX LOAD

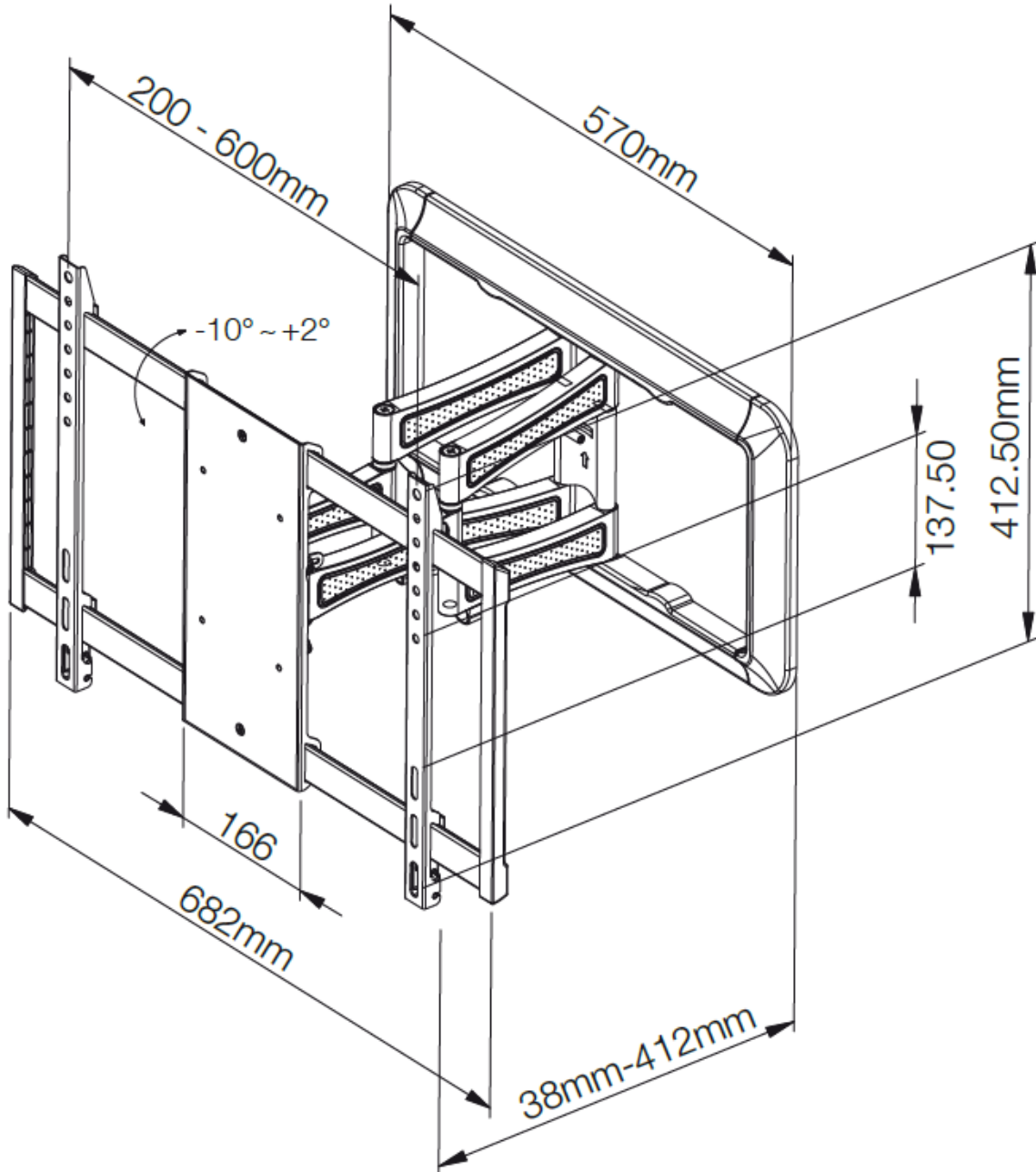
10
YEAR
GUARANTEE

www.vivanco.com

titan

TV WALL BRACKET

Technical drawing for TV wall bracket WTL 6 (Art. Nr. 35559)



Subject to technical changes

10
YEAR
GUARANTEE

www.vivanco.com